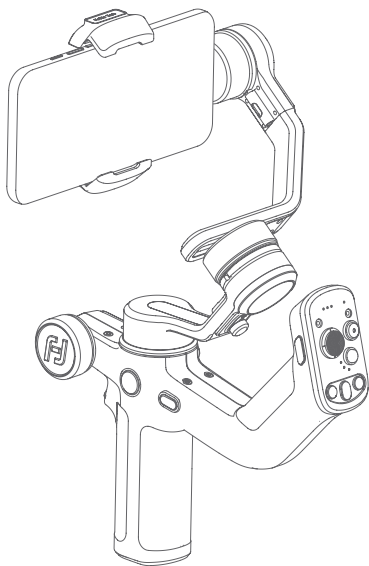




SCORP Mini P

Instructions V 1.0



Tutorial Videos



Catalogue

1. Overview	1
2. Getting started	2
2.1 Charging	2
2.2 Adjust the gimbal to gimbal balancing position	2
2.3 Using the tripod	3
3. Mounting the Smartphone	3
4. Gimbal Balancing	4
5. Power ON/ OFF	5
6. Function/Modes introduction	5
6.1 Follow modes introduction	5
6.2 Other function introduction	6
7. App Connecting	7
7.1 Connect with Feiyu ON App	7
7.2 Function introduction of App	7
8. Operation	9
8.1 Button operation	9
8.2 Indicator	13
9. Specifications	14

Tutorial

The tutorial videos can be watched at FeiyuTech official website or scan the QR code.
<https://www.feiyu-tech.com/play/>



Download the App

Scan the QR code to download the App, or search for "**Feiyu ON**" in the App Store or Google Play.

* Requires iOS 9.0 or above, Android 6.0 or above.



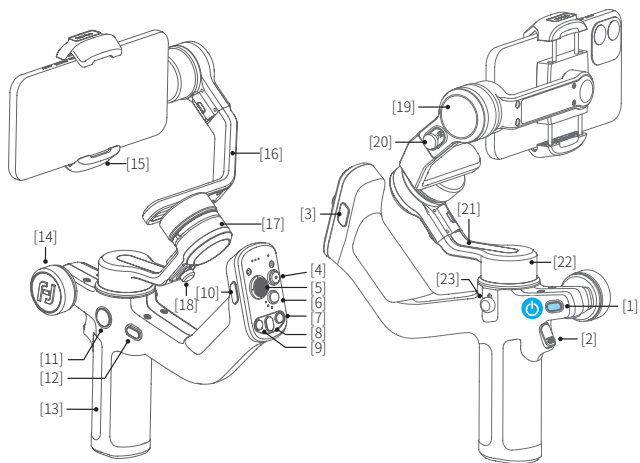
iOS



Android

1. Overview

* Not include smartphone.



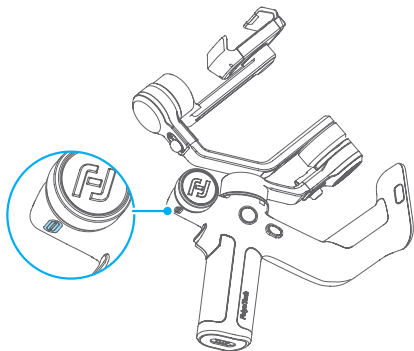
- [1] Power button
- [2] Trigger button
- [3] F2 button
- [4] Shutter button
- [5] Joystick
- [6] Mode button
- [7] R button
- [8] Auto rotation button
- [9] L button
- [10] F1 button
- [11] Knob function switching button

- [12] FPV button
- [13] Handle
- [14] Multifunction knob
- [15] Smartphone holder
- [16] Cross arm
- [17] Roll axis
- [18] Roll lock
- [19] Tilt axis
- [20] Tilt lock
- [21] Cross arm
- [22] Pan axis
- [23] Pan lock

2. Getting started

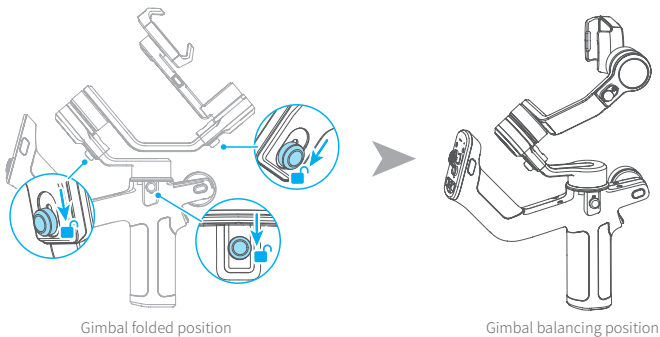
2.1 Charging

Please fully charge the battery before power on the gimbal for the first time.
Charging with USB-C cable, supports quick charge.



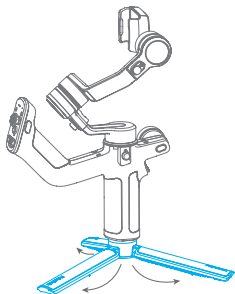
2.2 Adjust the gimbal to gimbal balancing position

The gimbal is folded by default, please unlock all the three axes and adjust the gimbal to **gimbal balancing position**, and then lock the three axes.



2.3 Using the tripod

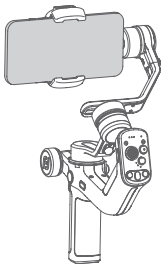
Install the tripod if needed, mount the tripod to the bottom of the gimbal, then unfold the tripod and place the gimbal on a flat surface.



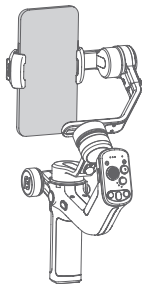
Unfold the tripod

3. Mounting the Smartphone

Make sure you have completed all the steps which mentioned in “chapter 2. Getting started” and the gimbal is adjusted to **gimbal balancing position**. It is recommended to remove the smartphone case before mounting the smartphone.



Horizontal mounting



Vertical mounting

Steps:

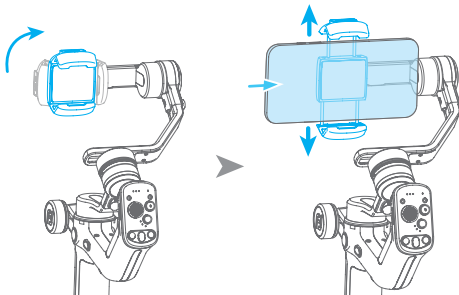
Take horizontal mounting as an example:

(1) Power off the gimbal or enter sleep mode first, then rotate the smartphone holder

to make it vertical to prepare for landscape shooting.

(2) Extend the smartphone holder, and put your smartphone in, keep the smartphone holder in center.

Note: before switching the mounting direction, the gimbal required to be off or in sleep mode.



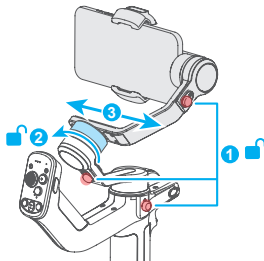
4. Gimbal Balancing

Please balance the gimbal before powering it on. Before balance the gimbal, please power off it or enter sleep mode.



Tutorial Videos

- (1) Unlock the three axis locks ①, observe the tilt direction of the mobile phone.
- (2) If the phone is tilted to one end, it means that the center of gravity is toward this end, and the fixing knob needs to be loosened ②, and then move the cross arm in the opposite direction ③, until the cross arm maintains a horizontal balance.
- (3) tighten the fixing knob ②.

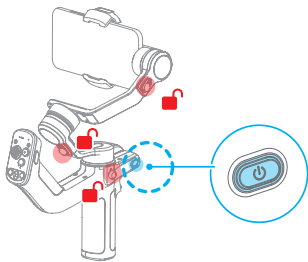


5. Power ON/ OFF

Before power on the gimbal, make sure you have balanced gimbal, and unlocked all the three axes. If you haven't unlocked all the 3 axes, gimbal will enter sleep mode to protect itself. Please single tap power button to wake up gimbal after unlocked all the 3 axes.

Long press the power button and release it when you hear the beep sound to power on/ off.

Quickly power off: Single tap the knob function switching button and power button at the same time



6. Function/Modes introduction

6.1 Follow modes introduction

① **PF**

Pan follow, only the pan axis follows the movement of user's hand.

② **PTF** (Default mode)

Pan and tilt follow, where both the pan and tilt axes follow the movement of user's hand, but roll axis does not.

③ **FPV**

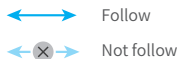
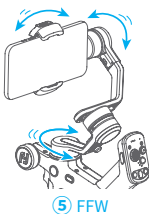
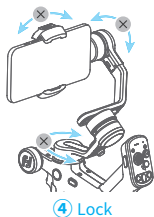
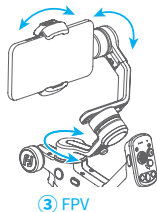
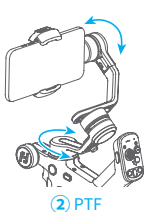
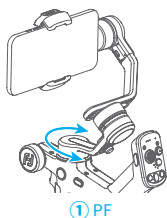
Pan, tilt and roll follow, where all 3 axes follow the movement of user's hand.

④ **Lock**

All 3 axes do not follow the movement of user's hand, gimbal keeps the direction of the camera fixed.

⑤ FFW

Flash follow, where all 3 axes follow the movement of user's hand in high follow speed.



6.2 Other function introduction

Auto rotation

Camera will auto rotate to shoot according to the rotation speed and direction that set by users. It can be used to achieve the image rotating scene which been used frequently in movie Inception.

Manual lock

Manually move camera to desired position, and hold for half a second. New tilt /pan positions are automatically saved.

7. App Connecting

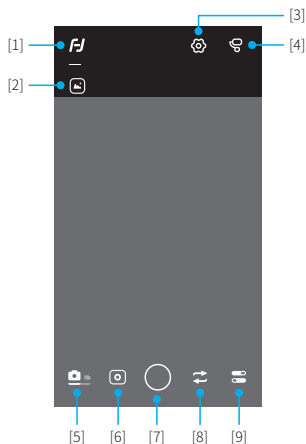
7.1 Connect with Feiyu ON App

(1) Turn on the smartphone Bluetooth, run Feiyu ON App, and App will search gimbal automatically, follow the prompts to connect gimbal.

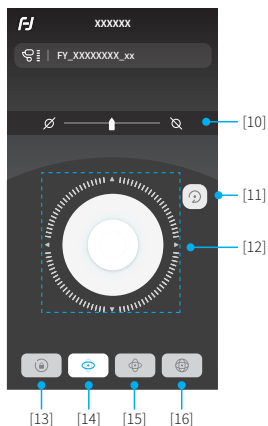
(2) After the connection succeed, it's easy to control gimbal via App including control the pan and tilt axis angle with the virtual joystick, switch modes, set motor power/ camera parameters/ follow speed, set other functions, parameters, and update firmware.

7.2 Function introduction of App

Shooting Interface



Control Interface



[1] Gimbal control access

Display the product name and device battery of current connecting gimbal, tap to enter gimbal operation interface, which allows user to use virtual joystick to control

gimbal, switch follow modes, recenter gimbal, adjust horizontal angle manually. When not connected to gimbal, prompt user to connect with gimbal.

[1] Back

Tap to return to home page.

[2] Album

Tap to enter album.

[3] Gimbal control

Tap to enter gimbal remote control interface, which allows user to use virtual joystick to control gimbal and switch follow modes.

[4] Gimbal information

Tap to check current connecting gimbal and its battery, user can also update firmwares for gimbal.

[5] Switch between photo/video mode

Tap to switch between switch between photo/video mode.

[6] Switch usage scenarios

In photo mode: Free panorama / Ultra-wide angle / 180° panorama / 360° panorama / Normal photo / Overlapping image / Light rail mode / Quick panorama.

In video mode: Static timelapse / Track timelapse / Dolly zoom / Normal video / Light rail video / Kuaishou Live.

[7] Shutter

Tap to take photo in photo mode.

Tap to start/stop recording in video mode.

[8] Switch between front and back cameras

Tap to switch between front and back cameras.

[9] More

Support photo timer, beauty, flash, auxiliary line, peak assist, overexposure tips,

filter, AI and gesture settings.

[10] Horizontal angle

Slide the slider to control roll axis to adjust the horizontal angle.

[11] Recenter

Tap to recenter the gimbal.

[12] Virtual joystick

Use virtual joystick to control pan and tilt axis.

[13] Lock Mode

Tap to enter lock mode.

[14] Pan follow (PF)

Tap to enter pan follow (PF) mode.

[15] Pan and tilt follow (PTF)

Tap to enter pan and tilt follow (PTF) mode.

[16] FPV

Tap to enter FPV (All follow) mode.

8. Operation

8.1 Button operation

8.1.1 Power button

Long press: Power on/off

Single tap: Wake up

Double tap: Enter sleep mode



8.1.2 Mode button

Single tap: Switch among Lock/PF/PTF(Default)/FPV/ FFW mode (Switch in turn)

Tap five times: Horizon calibration(Single tap to wake up after calibration completed)



8.1.3 Trigger button

Single tap: Face tracking (Feiyu ON App)

Double tap: Recenter

Triple tap: Enter/Exit selfie mode (Pan axis turn 180°)

Press and hold: Enter Lock mode (Release to exit)

You can custom the function via App



8.1.4 Joystick

Push: Control the movement of the tilt and pan axes.

Control the album in Feiyu ON App:

Move to left: choose previous photo/ video

Move to right: choose next photo/video

Move upward: volume up

Move downward: volume down



8.1.5 Shutter button*

Press half way: Focus (Feiyu ON App)

Single tap (Fully): Start/stop recording/ Take photo

Long press (Fully): Switch among video/ photo mode (Feiyu ON App)

*Need to connect with smartphone



8.1.6 Auto rotation button

Single tap: Enter auto rotation mode

Single tap again:

- (1) Exit auto rotation mode (When gimbal is not rotating)
- (2) Pause the rotation (When gimbal is rotating)



8.1.7 L button

Single tap: Turn left continuously

Single tap again: Switch rotating speed (Switch cyclically among Slow/Med/Fast orderly, the preset speed is Med)

Active in auto rotation mode



8.1.8 R button

Single tap: Turn right continuously

Single tap again: Switch rotating speed (Switch cyclically among Slow/Med/Fast orderly, the preset speed is Med)

Active in auto rotation mode



8.1.9 F1 button

Double tap: Enter/Exit album (Feiyu ON App)



8.1.10 F2 button

Double tap: Enter FFW mode



8.1.11 FPV button

Single tap: Enter/Exit FPV mode



8.1.12 Knob function switching button

Single tap:

- (1) Switch the control object while controlling the movement of the 3 axes (Tilt/Pan/Roll)
- (2) When in electronic focus/zoom control state, single tap to switch between electronic focus and electronic zoom (Feiyu ON App)

Long press: Switch the control options of Multifunction knob in turn (The movement of the 3 axes, electronic focus/zoom)

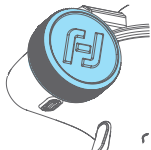


8.1.13 Multifunction knob

Turn:

- (1) Control the movement of the roll, tilt and pan axes.
- (2) Control electronic focus/zoom (Feiyu ON App)

Set current control option as option (1) or (2) through knob function switching button

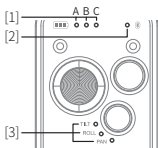


8.2 Indicator

[1] Battery indicator A/
B/C

[2] Camera/Bluetooth
indicator

[3] Follow status
indicator



TILT = Tilt axis

ROLL= Roll axis

PAN = Pan axis

The indicator is on which means the corresponding axis follows the movement of user's hand.

Bluetooth indicator instruction

Bluetooth status	Indicator
Bluetooth connected	●
Bluetooth disconnected	○
Unpairing Bluetooth*	●●●

*Clear Bluetooth connection: push the joystick down and hold it, then triple tap the power button

Follow status indicator instruction

Mode	Follow status indicator		
	TILT	ROLL	PAN
Lock	○	○	○
PF	○	○	●
PTF	●	○	●
FPV	●	●	●
FFW	●●●	●●●	●●●
Auto rotation	●	●	●

Battery indicator instruction

Battery level	Battery indicator		
	A	B	C
Fully charged	●	●	●
High level of battery	●	●	●●●
Medium level of battery	●	●●●	○
Low power	●●●	○	○
Low power, will auto power off	●	○	○

Other status indicator instruction

Status	Battery indicator		
	A	B	C
Sleep mode	●●●	●●●	○
Initializing	●●●	●●●	●●●
Initialization failed	●●●	●●●	●●●
Upgrading	The green light flashes cyclically		
Upgrade failed	The yellow light flashes cyclically		

Icon:

● / ● / ● / ●	Light of corresponding color is on
●●	Blue light keeps flashing twice
●●●	Blue light flashes quickly
●●●	Yellow light flashes quickly
●●●	Red light flashes quickly
●●●	Green light flashes quickly
●●●	Green light breathing
○	Light is off

9. Specifications

Product name	Feiyu SCORP-Mini P 3-Axis Handheld Gimbal for Smartphone
Product model	FeiyuMP01
Max. Tilt Range	+143° ~-147° (±3°)
Max. Roll Range	+90.4° ~-199.7° (±3°)
Max. Pan Range	360°
Weight	About 683g (not including tripod)
Payload capability	About 520g (Well-balanced)
Battery life	About 11 Hours (Well-balanced)
Charging time	About 1.5 Hours (18W quick charge)
Battery	2200mAh
Operating voltage	6.8V-8.4V
Compatible smartphones	iPhone and Android phones (the width of the phone 55~ 88mm)

Packing List

SCORP-Mini P ×1, Tripod ×1, USB-C cable ×1, Manual ×1

Notice

1. Make sure motor spinning is not blocked by external force when the product is power on.
2. The product DO NOT contact water or other liquid if the product is not mark waterproof or splash-proof. Waterproof and splash-proof product DO NOT contact sea water or other corrosive liquid.
3. DO NOT disassembly the product except marked detachable. It need send to FeiyuTech after-sales or authorized service center to fix it if you accidently disassembly and cause abnormal work. The relevant costs are borne by user.
4. Prolonged continuous operation may cause the product surface temperature to rise, please operate carefully.
5. DO NOT drop or strike the product. If the product is abnormal, contact Feiyu After-sales support.

Storage and Maintenance

1. Keep the product out of the reach of children and pets.
2. DO NOT leave the product near heat sources such as a furnace or heater. DO NOT leave the product inside of a vehicle on hot days.
3. Please storage the product in dry environment.
4. DO NOT overcharge or overuse the battery, otherwise it will cause damage to the battery core. If does not use the product for a long time, please charge it at least once within one month.
5. Never use the product when the temperature is too high or too low.

FCC regulatory conformance:

This device complies with Part 15 of the FCC Rules. Operation is subject to the following two conditions:

- (1) This device may not cause harmful interference.
- (2) This device must accept any interference received, including interference that may cause undesired operation.

NOTE

This equipment has been tested and found to comply with the limits for a Class B digital device, pursuant to part 15 of the FCC Rules. These limits are designed to provide reasonable protection against harmful interference in a residential installation.

This equipment generates uses and can radiate radio frequency energy and, if not installed and used in accordance with the instructions, may cause harmful interference to radio communications. However, there is no guarantee that interference will not occur in a particular installation. If this equipment does cause harmful interference to radio or television reception, which can be determined by turning the equipment off and on, the user is encouraged to try to correct the interference by one or more of the following measures:

- Reorient or relocate the receiving antenna.
- Increase the separation between the equipment and receiver.
- Connect the equipment into an outlet on a circuit different from that to which the receiver is connected.
- Consult the dealer or an experienced radio/TV technician for help.

NOTE

The manufacturer is not responsible for any radio or TV interference caused by unauthorized modifications to this equipment. Such modifications could void the user's authority to operate the equipment.

RF Exposure

This equipment complies with FCC radiation exposure limits set forth for an uncontrolled environment.



Website



Facebook



Youtube



Twitter



Instagram

This document is subject to change without notice. If you have any questions about this document, please contact us by the following ways.

Manufactured by: Guilin Feiyu Technology Incorporated Company
Website: www.feiyu-tech.com
E-mail: support@feiyu-tech.com
Tel: +86 773-2320865

