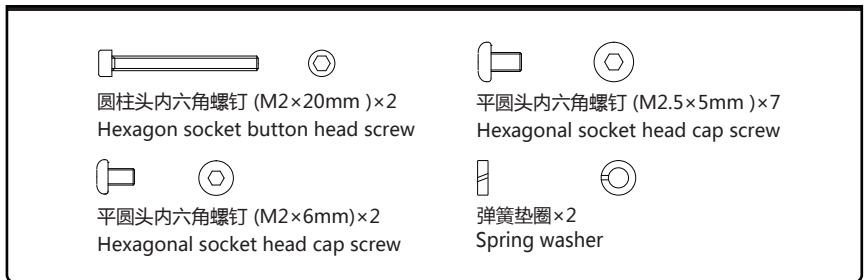
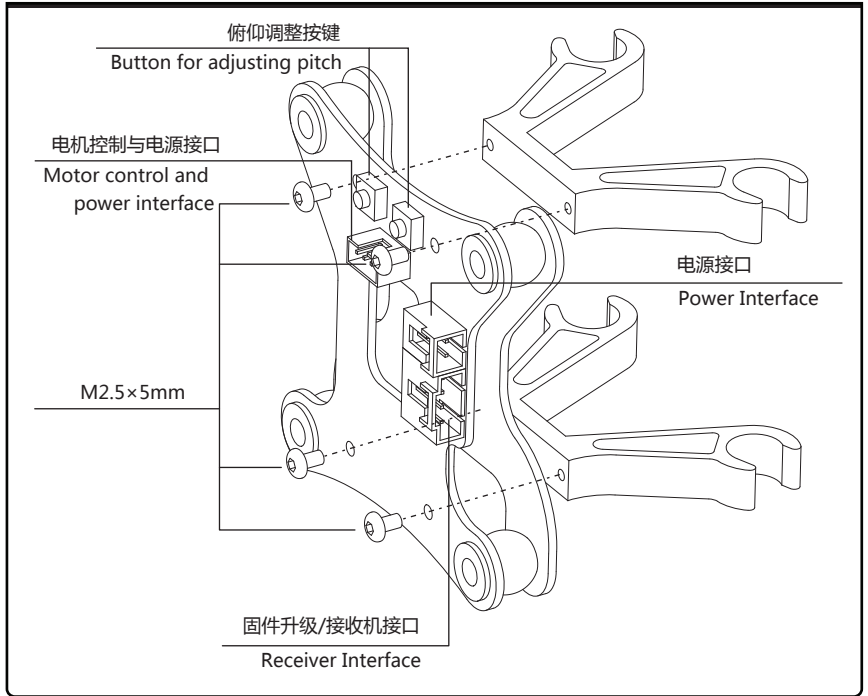
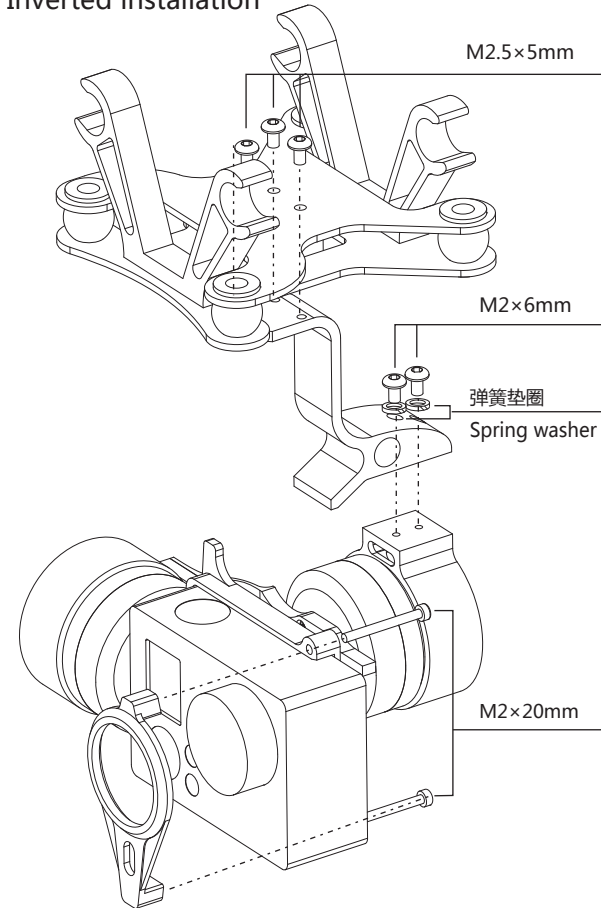




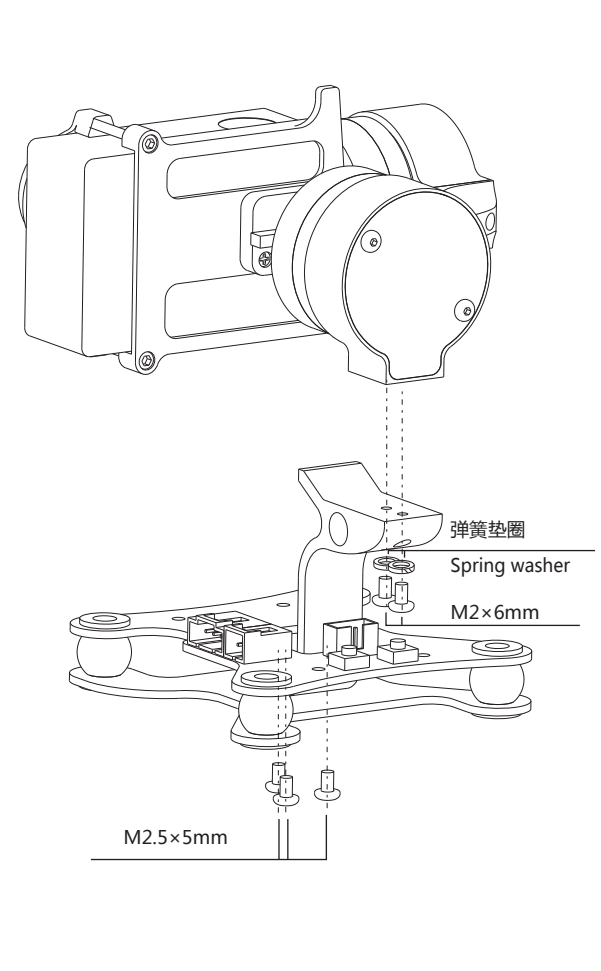
# 2-Axis Brushless Gimbal For Gopro3

两轴无刷伺服云台

## 倒挂安装方式 Inverted installation

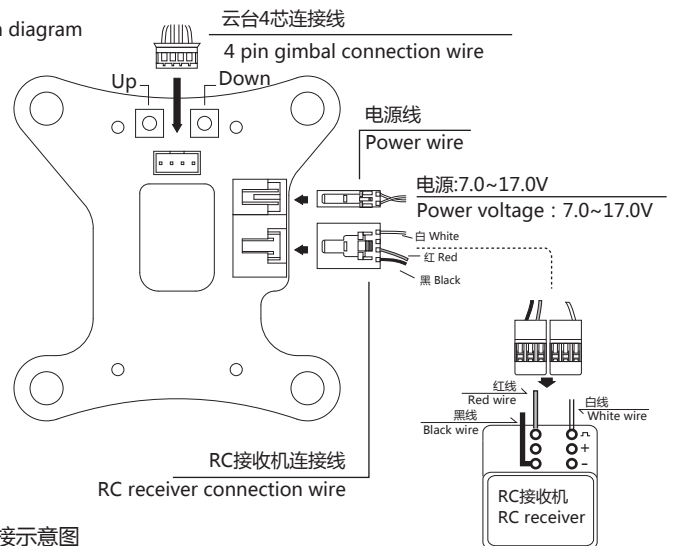


## 垂直安装方式 Vertical installation



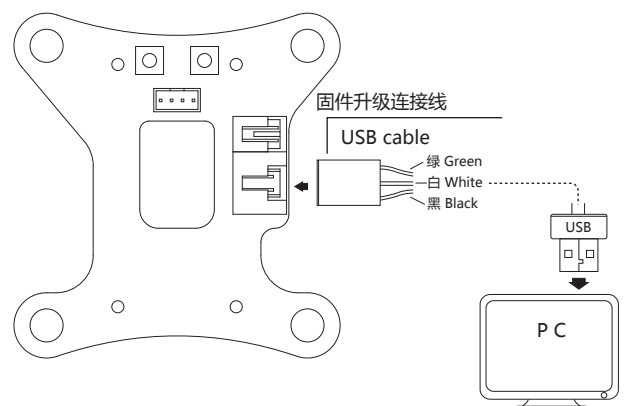
## 云台连接线路图

Gimbal connection diagram



## 云台固件升级连接示意图

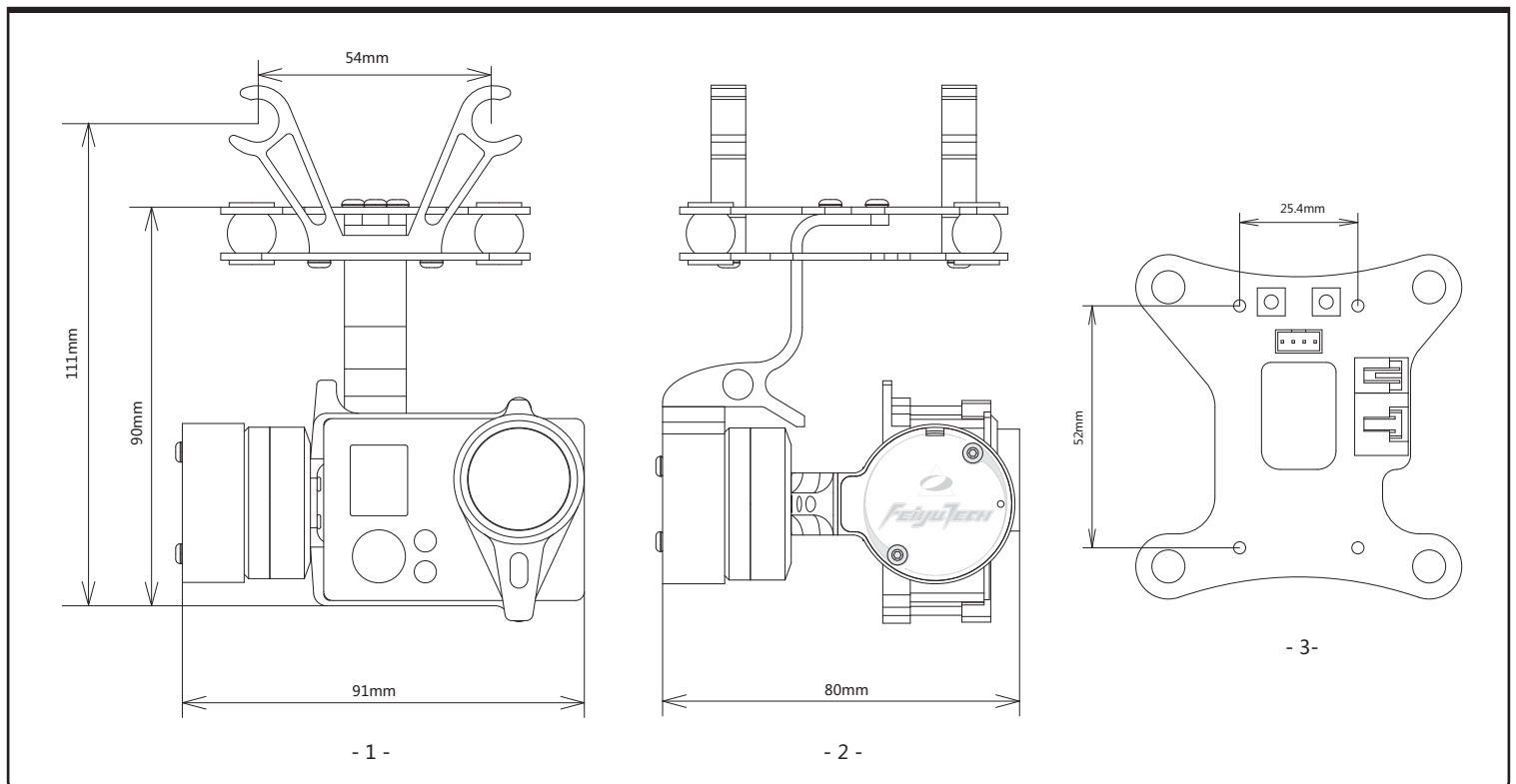
Gimbal connection diagram for updating firmware





# 2-Axis Brushless Gimbal For Gopro3

两轴无刷伺服云台



### 安装说明:

- 1.按照图纸正确的组装云台,先不要通电,把GOPRO3摄像机安装到云台上.目前的相机安装座只适合安装GOPRO3摄像机,其它摄像机需可以自行设计安装座或者关注飞宇科技发布的相机安装座配件.
- 2.不需要设置和调整参数.接通云台电源,保持云台静止,等待云台初始化完成后自动将云台回到水平位置,然后可以正常使用了.
- 3.如果没有连接RC接收机,俯仰角将默认回到水平的位置,这个时候可以通过按钮(UP,DOWN)来调整俯仰角.通电之前连接RC接收机并且接收机已经开始工作的情况下,通过遥控通道来调整俯仰角度.
- 4.UP&DOWN按钮同时按下1S时间,可以关闭电机控制输出,再次同时按下1S时可以恢复电机控制.

### 固件升级说明:

可以在网站[www.feiyu-tech.com](http://www.feiyu-tech.com)下载云台的升级软件和最新控制固件.

### Installation Instructions:

- 1.You can assemble the gimbal properly according to the drawing, and then install the GOPRO3 video camera on it. The camera mount currently is only suitable for GOPRO3, for other kinds of cameras, you can design the mount by yourself or concern Feiyu Technology, and we will release more camera mount accessories in the near future.
- 2.There is no need to set up and adjust the parameter. Power on the Gimbal, and then keep it static for a while, after its reset, the gimbal will be in a level position automatically. Then you can use it normally.
- 3.You can adjust the pitch angle by the RC transmitter with the RC receiver or you can adjust it by the two buttons on the Gimbal: "UP" & "DOWN".
- 4.Buttons for open and close control: by press buttons "UP" and "DOWN" at the same time for 1 second, you can realize turn on or off the Gimbal.

### Firmware upgrade:

The Gimbal supports firmware upgrade: You can download the upgrade software and the latest firmware from [www.feiyu-tech.com](http://www.feiyu-tech.com)

### 特性参数:

项目	最小	标准	最大	备注
工作电压	7.0V	12.0V	17.0V	2S~4S LIPO
静止姿态跟踪精度	±0.01°		±0.04°	
运动姿态跟踪精度	±0.1°	±0.02°	±0.5°	
电机过载电流保护			0.8A	
电机过载保护时间			600s	电机过载600s后自动停止工作
电机输出最大力矩			330us	
俯仰角可调范围	- 90°	0°	+ 45°	可以通过按钮调节或者通过连接RC接收机调节
横滚角度可调范围	- 45°	0°	+ 45°	RC接收机模式下可用, 1667us脉宽为水平状态
俯仰角控制速率		10°/S		
重量		178g		

### Tech Specification :

TECH SPEC	Min-working voltage	Standard working voltage	Max-working voltage	Remark
Working Voltage	7.0V	12.0V	17.0V	2S~4S LIPO
Static attitude tracking accuracy	±0.01°		±0.04°	
Motion attitude tracking accuracy	±0.1°	±0.2°	±0.5°	
Overload protection			0.8A	
Overload protection time			600s	After overloaded 600s, Gimbal will stop working automatically.
Max-torque			330us	
Controlled pitch angle accuracy	- 90°	0°	+ 45°	It can be adjusted by button or RC receiver.
Controlled Roll Angle Accuracy	- 45°	0°	+ 45°	Only for RC Mode, 1667us is horizontality.
Pitching Angle control rate		10°/S		
Weight		178g		



www.feiyu-tech.com